



**Solid Door, Right Hinged**  
TWC-24OP



**Solid Door, Left Hinged**  
TWC-24LH-OP



**Glass Door, Right Hinged**  
TWC-24OPG



**Glass Door, Left Hinged**  
TWC-24LH-OPG

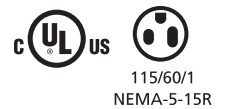
Cabinets shown with custom overlay panel and door handle - supplied by others.

**SPECIFICATIONS**

Exterior Dimensions: 23 15/16" W x 24 17/32" D† x 34" H  
Voltage: 115/60/1  
Amps: 1.9  
Power Cord Length: 8'  
Crated Weight: TWC-24OP (235 lbs)  
TWC-24LH-OP (235 lbs) TWC-24OPG (245 lbs)  
TWC-24LH-OPG (245 lbs)

Shelving: 6 glide-out wine racks – 48 bottles  
1 floor wine cradle – 5 bottles  
Total Capacity: 5.7 ft<sup>3</sup>  
Lighting: Amber LED  
Temperature: Set to 55°F with a 33°F - 65°F Range

†Depth includes 3/4" for optional cabinet overlay panel installed.  
Specifications subject to change with out notice.

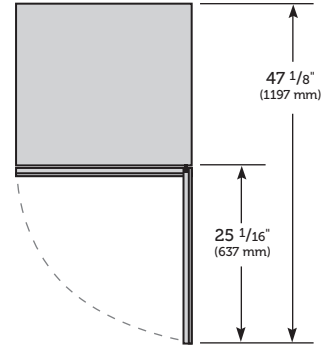
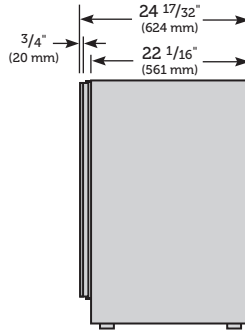
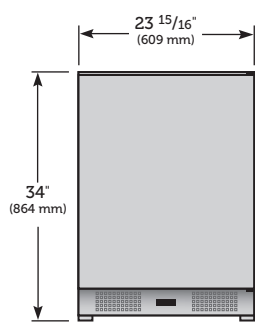


**EXCEPTIONAL FEATURES**

- > **OP/OPG MODELS ARE BUILT-IN ONLY**
- > **300 SERIES STAINLESS STEEL INTERIOR**  
Provides an elegant look and durability, which will prolong the life of your wine cabinet
- > **OVERSIZED / BALANCED FORCED AIR REFRIGERATION SYSTEM**  
Enables rapid product pull down and temperatures within +/-1 degree of set point
- > **FULL AUTO DEFROST**  
Auto defrost is programmed into the refrigeration cycle, so there is no need for manual defrost
- > **ELECTRONIC BLUE LED TEMPERATURE DISPLAY**  
Allows visibility and adjustment of temperature, as well as ability to turn interior lighting on or off without opening door
- > **AMBER LED INTERIOR LIGHTING**  
A non-UV, non-infrared light source, which will aid in preserving your wines and ensure consistent temperatures throughout the wine cabinet. Provides an attractive display of your collection when entertaining.
- > **UV-TINTED, DOUBLE PANE, LOW-E GLASS DOOR**  
Protects wine from UV rays, as well as other harmful lights that can affect your wine
- > **GLIDE-OUT WINE RACK WITH TRUE SIGNATURE HANDLE**  
Standard with 6 glide-out racks and 1 floor rack. Each glide-out rack is specifically engineered to accommodate wine with anti-racking, vibration-dampening technology.
- > **2 YEARS PARTS AND LABOR WARRANTY WITH AN ADDITIONAL 3 YEARS ON THE SEALED SYSTEM**

**Solid Overlay, Wine**

TWC-24OP

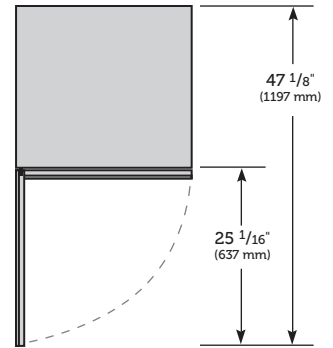
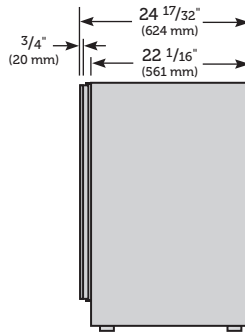
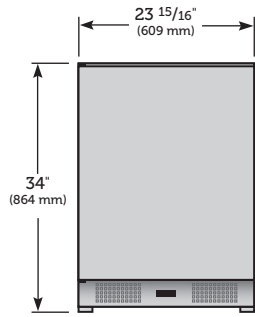


<sup>†</sup>Depth includes 3/4" for custom cabinet overlay panel installed.  
Height Dimensions +/- 1/2"

**Solid Overlay, Wine**

**Left Hinge**

TWC-24LH-OP

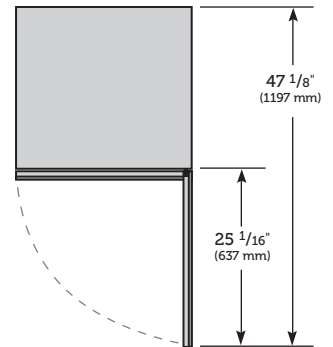
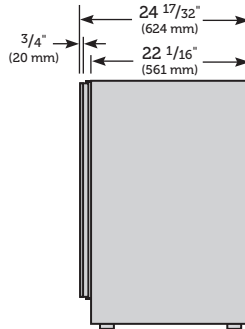
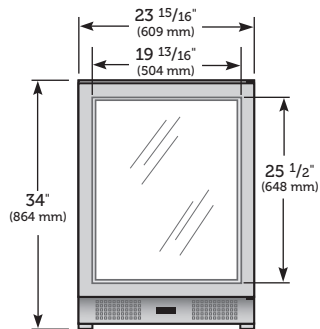


Height Dimensions +/- 1/2"

<sup>†</sup>Depth includes 3/4" for custom cabinet overlay panel installed.  
Height Dimensions +/- 1/2"

**Glass Door  
Framed Overlay  
Wine**

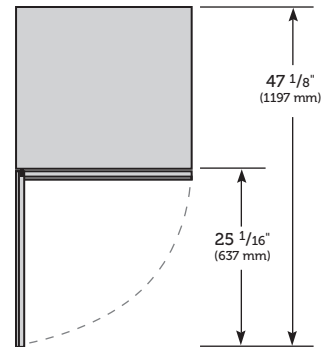
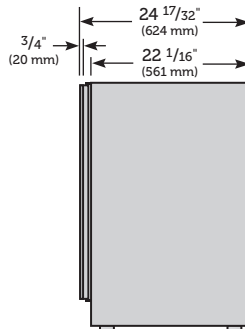
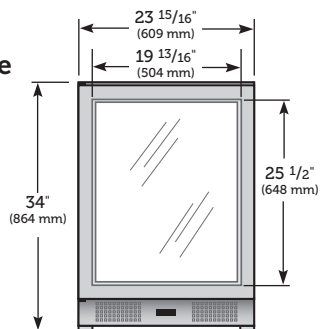
TWC-24OPG



<sup>†</sup>Depth includes 3/4" for custom cabinet overlay panel installed.  
Height Dimensions +/- 1/2"

**Glass Door  
Framed Overlay  
Wine, Left Hinge**

TWC-24LH-OPG



<sup>†</sup>Depth includes 3/4" for custom cabinet overlay panel installed.  
Height Dimensions +/- 1/2"

2001 East Terra Lane, O'Fallon, MO 63366 USA

phone 636.240.2400 toll free 888.616.8783 parts 800.424.8783 fax 636.272.7546

website [www.true-residential.com](http://www.true-residential.com) info address [info@true-residential.com](mailto:info@true-residential.com)