



Solid Door, Right Hinged
TUR-24OP



Solid Door, Left Hinged
TUR-24LH-OP



Glass Door, Right Hinged
TUR-24G-OPG



Glass Door, Left Hinged
TUR-24G-LH-OPG

Cabinets shown with custom overlay panel and door handle - supplied by others.

SPECIFICATIONS

Exterior Dimensions: 23 15/16" W x 24 17/32" D[†] x 34" H

Voltage: 115/60/1

Amps: 1.9

Power Cord Length: 8'

Crated Weight: TUR-24OP (200 lbs)

TUR-24LH-OP (200 lbs) TUR-24OPG (205 lbs)

TUR-24LH-OPG (205 lbs)

Shelving: 2 adjustable/removable glass, spill-proof shelves

Total Capacity: 5.6 ft³

Lighting: White LED

Temperature: Set to 35°F with a 33°F - 65°F Range

[†]Depth includes 3/4" for optional cabinet overlay panel installed.
Specifications subject to change without notice.



EXCEPTIONAL FEATURES

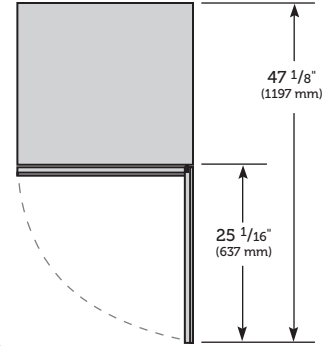
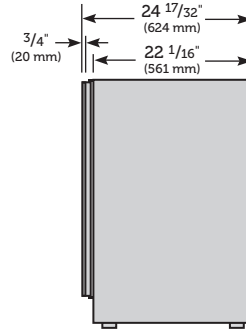
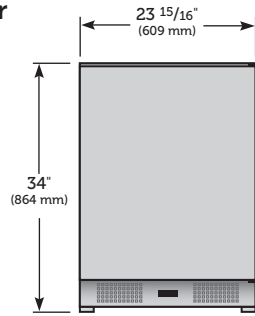
- > **OP/OPG MODELS ARE BUILT-IN ONLY**
- > **300 SERIES STAINLESS STEEL INTERIOR**
Provides an elegant look and durability, which will prolong the life of your refrigerator
- > **OVERSIZED / BALANCED FORCED AIR REFRIGERATION SYSTEM**
Enables rapid product pull down and temperatures within +/-1 degree of set point
- > **FULL AUTO DEFROST**
Auto defrost is programmed into the refrigeration cycle, so there is no need for manual defrost
- > **ELECTRONIC BLUE LED TEMPERATURE DISPLAY**
Allows visibility and adjustment of temperature, as well as ability to turn interior lighting on or off without opening door. A sleek integration into the doorframe provides an elegant complement to the stainless.
- > **WHITE LED INTERIOR LIGHTING**
LED lighting is not a significant heat source like other types of lighting and ensures consistent temperatures throughout the refrigerator.
- > **UV-TINTED, DOUBLE PANE, LOW-E GLASS DOOR**
Protects food and beverages from UV rays, as well as other harmful lights that can affect your products
- > **2 SPILL-PROOF GLASS SHELVES**
Adjustable and removable to accommodate a variety of products
- > **2 YEARS PARTS AND LABOR WARRANTY WITH AN ADDITIONAL 3 YEARS ON THE SEALED SYSTEM**

2001 East Terra Lane, O'Fallon, MO 63366 USA

phone 636.240.2400 toll free 888.616.8783 parts 800.424.8783 fax 636.272.7546

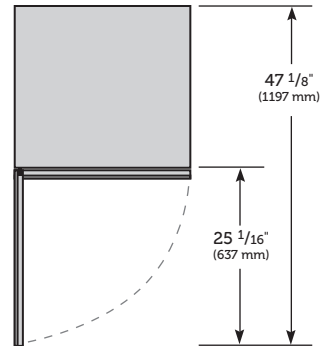
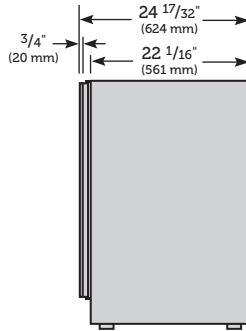
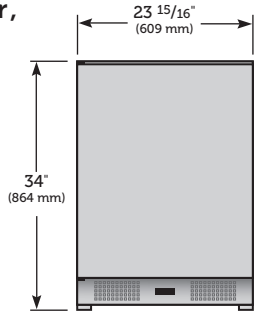
website www.true-residential.com info address info@true-residential.com

**Solid Overlay,
All Refrigerator
TUR-24OP**



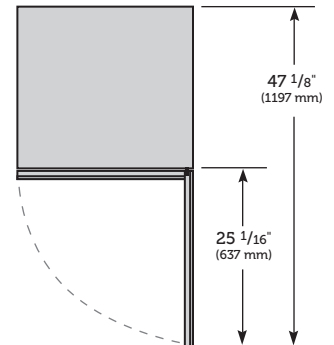
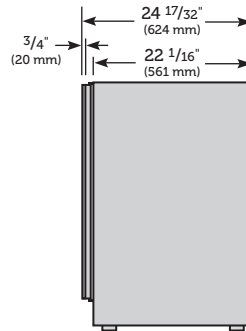
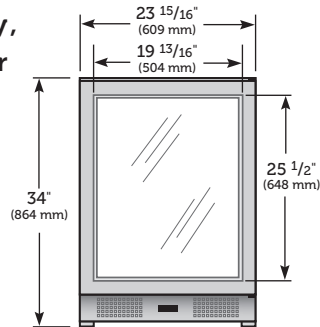
[†]Depth includes 3/4" for custom cabinet overlay panel installed.
Height Dimensions +/- 1/2"

**Solid Overlay,
All Refrigerator,
Left Hinge
TUR-24LH-OP**



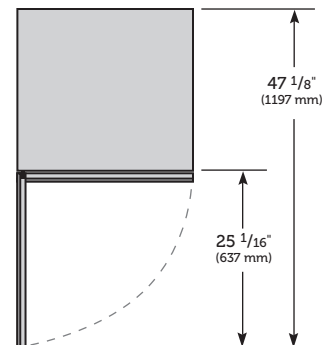
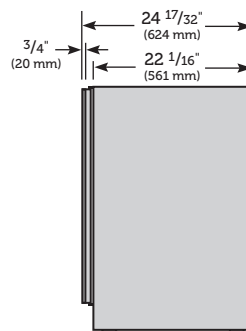
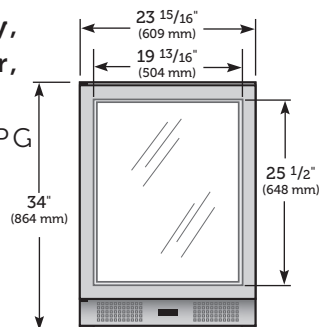
[†]Depth includes 3/4" for custom cabinet overlay panel installed.
Height Dimensions +/- 1/2"

**Glass Door
Framed Overlay,
All Refrigerator
TUR-24G-OPG**



[†]Depth includes 3/4" for custom cabinet overlay panel installed.
Height Dimensions +/- 1/2"

**Glass Door
Framed Overlay,
All Refrigerator,
Left Hinge
TUR-24G-LH-OPG**



[†]Depth includes 3/4" for custom cabinet overlay panel installed.
Height Dimensions +/- 1/2"

2001 East Terra Lane, O'Fallon, MO 63366 USA

phone 636.240.2400 toll free 888.616.8783 parts 800.424.8783 fax 636.272.7546

website www.true-residential.com info address info@true-residential.com