



TUR-24D UNDERCOUNTER REFRIGERATOR

SPECIFICATIONS

Exterior Dimensions: 23¹⁵/₁₆" L x 24¹⁹/₃₂" D x 34" H
 Voltage: 115/60/1
 Amps: 1.9
 Power Cord Length: 8'
 Crated Weight: 220 lbs.
 Shelving: 4 Drawer Dividers
 Total Capacity: 5.6 ft³
 Lighting: White LED
 Temperature: Set to 35°F with a 33°F - 65°F range



Specifications subject to change without notice.

EXCEPTIONAL FEATURES

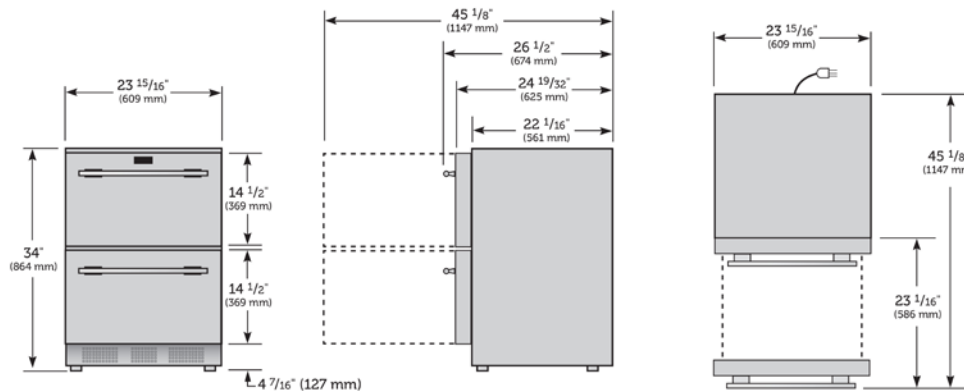
- > **FREE STANDING OR BUILT-IN FOR ANY SETTING**
Allows for flexibility depending upon the desired application
- > **300 SERIES STAINLESS STEEL INTERIOR / EXTERIOR**
Provides an elegant look and durability, which will prolong the life of your refrigerator
- > **OVERSIZED / BALANCED FORCED AIR REFRIGERATION SYSTEM**
Enables rapid product pull down and temperatures within 1 degree
- > **HEAVY DUTY CLEAR DRAWER ORGANIZERS**
Allows ability to divide and separate your vegetables from your favorite beverages

- > **HIGH CLEARANCE DRAWERS**
Allows for storage of milk gallons and juice containers in upright position
- > **FULL AUTO DEFOST**
Auto defrost is programmed into the refrigeration cycle, so there is no need for manual defrost
- > **EPOXY COATED EVAPORATOR COILS**
Protects system against open foods and allows fresh fruits and other items to be stored
- > **EXCLUSIVE TRUE®-GLIDE DRAWER SLIDES**
Allows for low-temp, soft close feature
- > **ELECTRONIC DOOR MOUNTED, BLUE LED TEMPERATURE DISPLAY WITH LED LIGHT CONTROL**

Allows visibility of temperature, as well as ability to turn interior lighting on or off without opening door. A sleek integration into the doorframe provides an elegant complement to the stainless.

- > **WHITE LED INTERIOR LIGHTING**
Low voltage LED lighting is not a significant heat source like other types of lighting and will ensure consistent temperatures throughout the refrigerator.
- > **2 YEAR PARTS AND LABOR WARRANTY WITH AN ADDITIONAL 3 YEARS ON THE SEALED SYSTEM**
- > **UL RATED FOR OUTDOOR USE**

PLAN VIEW



Height Dimensions +/- 1/2"

2001 East Terra Lane, O'Fallon, MO 63366 USA

phone 636.240.2400 toll free 888.616.8783 parts 800.424.8783 fax 636.272.7546

website www.true-residential.com info address info@true-residential.com