



Solid Door, Right Hinged
TBC-24OP



Solid Door, Left Hinged
TBC-24LH-OP



Glass Door, Right Hinged
TBC-24OPG



Glass Door, Left Hinged
TBC-24LH-OPG

Cabinets shown with custom overlay panel and door handle - supplied by others.

SPECIFICATIONS

Exterior Dimensions: 23 15/16"W x 24 17/32"D† x 34"H
Voltage: 115/60/1
Amps: 1.9
Power Cord Length: 8'
Crated Weight: TBC-24OP (210 lbs)
TBC-24LH-OP (210 lbs) TBC-24OPG (220 lbs)
TBC-24LH-OPG (220 lbs)

Shelving: 2 black, adjustable/removable wire shelves
1 glide-out step wine shelf – 8 wine bottles
Bottom cradle – 5 wine bottles
Total Capacity: 5.6 ft³
Lighting: White LED
Temperature: Set to 35°F with a 33°F - 65°F Range

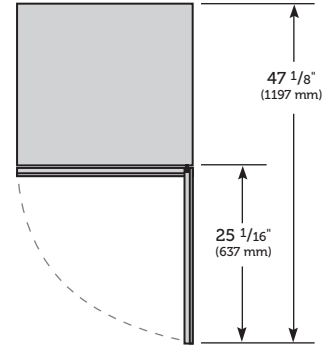
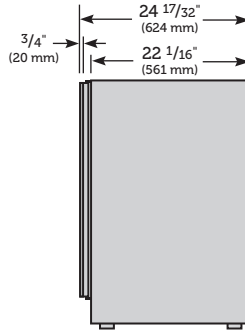
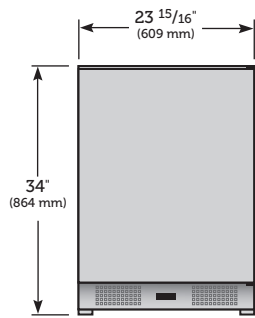
†Depth includes 3/4" for optional cabinet overlay panel installed.
Specifications subject to change with out notice.



EXCEPTIONAL FEATURES

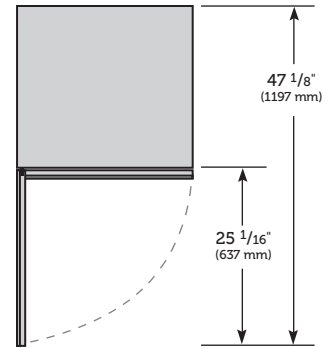
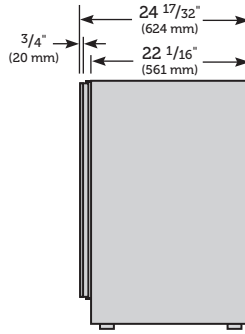
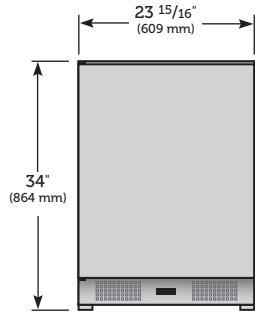
- > **OP/OPG MODELS ARE BUILT-IN ONLY**
- > **300 SERIES STAINLESS STEEL INTERIOR**
Provides an elegant look and durability, which will prolong the life of your beverage center
- > **OVERSIZED / BALANCED FORCED AIR REFRIGERATION SYSTEM**
Enables rapid product pull down and temperatures within +/-1 degree of set point
- > **FULL AUTO DEFROST**
Auto defrost is programmed into the refrigeration cycle, so there is no need for manual defrost
- > **ELECTRONIC BLUE LED TEMPERATURE DISPLAY**
Allows visibility and adjustment of temperature, as well as ability to turn interior lighting on or off without opening door
- > **WHITE LED INTERIOR LIGHTING**
LED lighting is not a significant heat source like other types of lighting and ensures consistent temperatures throughout the beverage center.
- > **UV-TINTED, DOUBLE PANE, LOW-E GLASS DOOR**
Protects food and beverages from UV rays, as well as other harmful lights that can affect your products
- > **2 COMMERCIAL GRADE, BLACK WIRE SHELVES**
Adjustable and removable to accommodate a variety of products
- > **GLIDE-OUT WINE RACK WITH TRUE SIGNATURE HANDLE**
Standard with 1 glide-out wine rack, specifically engineered to accommodate wine with anti-racking, vibration-dampening technology
- > **2 YEARS PARTS AND LABOR WARRANTY WITH AN ADDITIONAL 3 YEARS ON THE SEALED SYSTEM**

**Solid Overlay,
Beverage**
TBC-24OP



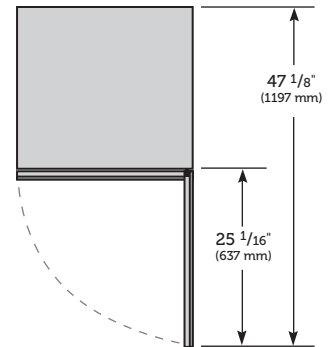
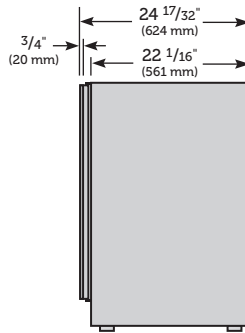
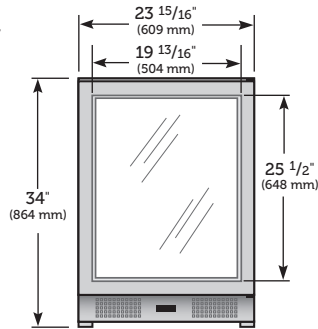
[†]Depth includes 3/4" for custom cabinet overlay panel installed.
Height Dimensions +/- 1/2"

**Solid Overlay,
Beverage,
Left Hinge**
TBC-24LH-OP



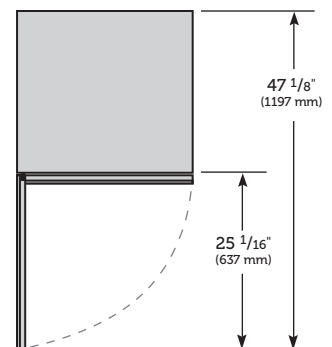
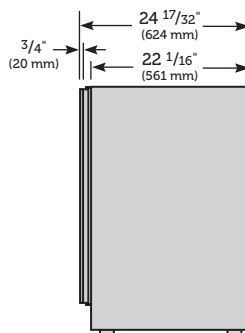
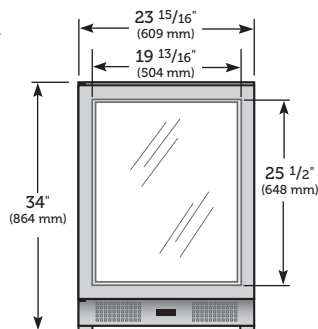
[†]Depth includes 3/4" for custom cabinet overlay panel installed.
Height Dimensions +/- 1/2"

**Glass Door
Framed Overlay,
Beverage**
TBC-24OPG



[†]Depth includes 3/4" for custom cabinet overlay panel installed.
Height Dimensions +/- 1/2"

**Glass Door
Framed Overlay,
Beverage,
Left Hinge**
TBC-24LH-OPG



[†]Depth includes 3/4" for custom cabinet overlay panel installed.
Height Dimensions +/- 1/2"

2001 East Terra Lane, O'Fallon, MO 63366 USA

phone 636.240.2400 toll free 888.616.8783 parts 800.424.8783 fax 636.272.7546

website www.true-residential.com info address info@true-residential.com